



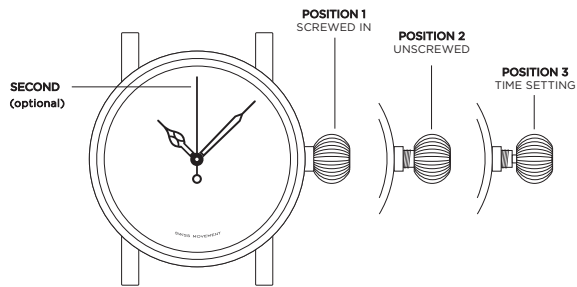
KINGSLEY N°1945®

USER MANUAL

VINTAGE WW2-ERA INSPIRED WATCHES
DESIGNED AND ENGINEERED BY
KINGSLEY WATCH CO. PROV., RI USA

TYPE 3 TRENCH SWISS QUARTZ

SETTING THE TIME



STEP 1: UNSCREWING THE CROWN

1. Unscrew Crown Counter Clockwise Until You Feel Crown spring out to POSITION 2 (UNSCREWED FROM CASE)

STEP 2: SETTING THE TIME

1. GENTLY PULL CROWN OUT TO POSITION 3
2. ROTATE CROWN CLOCKWISE to set the time

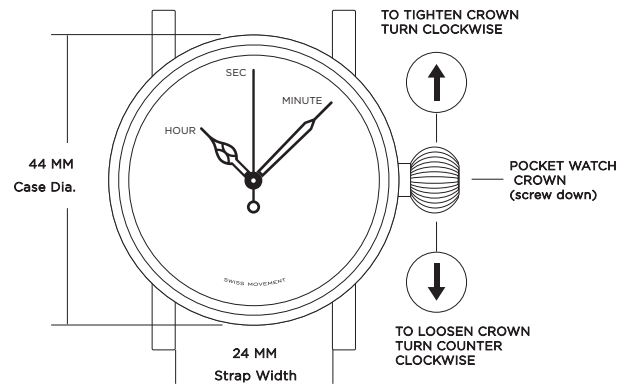
STEP 3: SCREWING DOWN THE CROWN

3. GENTLY push and screw down crown clockwise against the case to POSITION 1

IMPORTANT CARE TIPS:

1. Always GENTLY and carefully screw down the crown against the case when wearing to maintain maximum moisture and water protection

CASE & CROWN DETAILS



ABOUT YOUR WATCH

WHAT COULD DAMAGE MY WATCH?

Exposure to heat and moisture, wearing in the sauna, steamroom, submerging in water, contact with sand or salt, extreme heat (+140 F), below freezing (-32 F), rubbing hand sanitizer or alcohol on leather strap, sports and rigorous activities that can shock the watch movement.

WHAT COULD THROW OFF THE TIMING OF MY WATCH?

Accidental drop or excessive force of your wrist against something can cause the hands to shift or come apart from the movement stem. Unauthorized replacement of watch battery with a generic alkaline battery instead of a high quality swiss made silver oxide button cell battery that provides approximately 5 years of power to the movement when properly used.

IMPORTANT QUALITY TIPS:

We recommend a high quality (371) swiss made silver oxide button cell battery that is leak proof, non toxic to environment (no mercury) and have consistent voltage over its life cycle.

WHAT CAN CAUSE MY WATCH TO STOP WORKING?

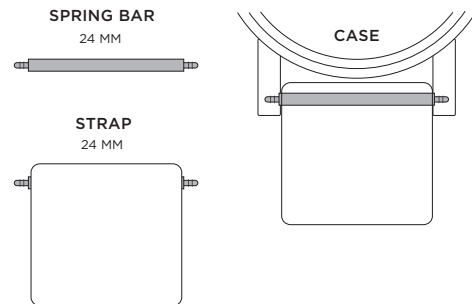
This can simply be an indicator that the battery power supply has reached the end of life cycle to power the movement. shock to the watch as mentioned above.

Everything listed above "What could damage or throw off the timing of my watch"

WHAT TO DO IF MY WATCH STOPS WORKING?

Bring it to your authorized dealer of purchase for inspection. they may be able to service any issues under the kingsley no.1945 warranty guidelines. for any other watch service, repair or parts as a result of an accident or not under warranty the dealer or you can also contact Kingsley No.1945 Watch Company at - email: support@kingsley1945.com

ABOUT YOUR STRAP



STRAP INSTALLATION INSTRUCTIONS:

1. We recommend going to a reputable jeweler/watchmaker to install or remove the watch straps. On some models we have enclosed a strap installation tool to be used by a watch professional for reference.

INSTALLATION TOOL DISCLAIMER:

1. KINGSLEY, LLC claims no responsibility for any strap removal or installation using any enclosed tools that results in any damage to the watch or any personal harm of any type.